

**Product Information**

**Sensors and Instrumentation**

# Pressure Transmitter Series SA-11



SA-11-0



SA-11-1



- Measuring range from 0.25..25 bar
- Output signal 0..20 mA, 4..20 mA, 0..10 V DC
- Certified for EHEDG, 3A and FDA
- Max. process temperature -20..150 °C

**Characteristics**

The SA-11 pressure transmitter has been specially designed to meet the requirements of the food, beverage, pharmaceutical and biotechnology industries. With its resistance to chemical cleaning liquids and high temperatures, this transmitter is particularly suited for CIP/SIP cleaning processes. The flush diaphragm is directly welded to the process connection, thus ensuring a gap-free connection and eliminating the need for additional sealing gaskets. The SA-11 pressure transmitter meets the high requirements of sterile engineering processes and is certified in accordance with the 3-A Sanitary Standards and the EHEDG.

**Technical data**

**Power supply**  
 Supply voltage : 10/(14)..30 V DC  
 Process temperature : -20..+150 °C  
 Ambient temperature : -20..+80 °C  
 CE-conformity : 97/23 EG, 2004/108/EG, EN 61326 emission (group 1 and class B) and immunity

**Certification** : EHEDG, A3, FDA conform

**Output**  
**Current** : 0..20 mA, 3-wire; 4..20 mA, 2-wire  
 Max. burden  $R_A$  : 2-wire,  $R_A \leq (U+ -10 V) \div 0.02 A [\Omega]$   
 3-wire,  $R_A \leq (U+ -3 V) \div 0.02 A [\Omega]$

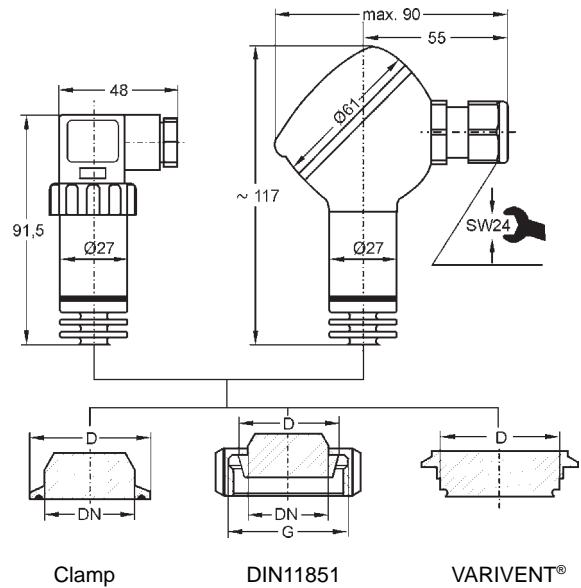
**Voltage** : 0..10 V DC, 3-wire  
 Max. burden  $R_A$  : >10 k $\Omega$

**Accuracy** : 0.5 %

**Material**  
 Process connection : stainless-steel 1.4435  
 Surface roughness :  $R_a < 0.4 \mu m$   
 Case : stainless-steel 1.4571  
 System fill fluid : synthetic oil, FDA approved  
 Membrane : gap free connection, free of dead spaces

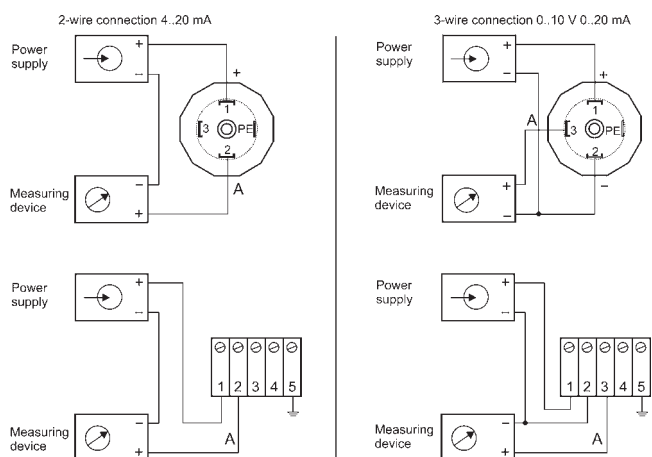
**Electrical connection** : field case (IP68) or L-connector acc. to EN 175301-803/A (IP65)

**Dimensions**



Process connection		DN [mm/inch]	D [mm]	G
Tri-Clamp		1 1/2"	50	
		2"	64	
Clamp	DIN32676	DN32	50	
		DN40	50	
		DN50	64	
Female union nut	DIN11851	DN25	44	Rd52x1/6
		DN40	56	Rd65x1/6
		DN50	68,5	Rd78x1/6
VARIVENT®	Form F	DN25/32	50	
	Form N	DN50/DN50	68	

**Connection diagram**



Continue next page

Product Information

Ordering code

1. 2. 3. 4. 5.  
 SA-11 -  -  -  -  -

<b>1. Electrical connection</b>	
0	L-connector EN175301-803/A, IP65
1	field case, IP68
<b>2. Output</b>	
0	0..10 V 3-wire
1	0..20 mA 3-wire
2	4..20 mA 2-wire
<b>3. Process connection</b>	
TC15	Tri-Clamp 1 ½"
TC20	Tri-Clamp 2"
NM25	female union nut DN25
NM40	female union nut DN40
NM50	female union nut DN50
CL25	Clamp DN25
CL32	Clamp DN32
CL40	Clamp DN40
CL50	Clamp DN50
WV25	VARIVENT® Form F
WV40	VARIVENT® Form N
<b>4. Options</b>	
00	without option
<b>5. Measuring range [bar]</b>	
0.25/ 0.4/ 0.6/ 1/ 2.5/ 4/ 6/ 10/ 16/ 25 -1..0/ -1..1/ -1..2/ -1..4/ -1..10	