

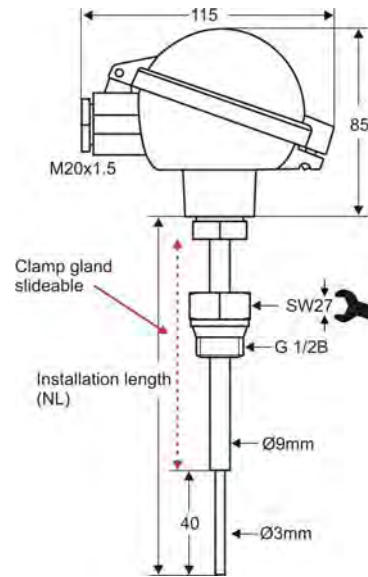
Produktinformation

Sensors and Instrumentation

**Safety Thermocouple
 Sensor TC293**



Dimensions



Characteristics

- Fast response sensor for measurement in exhaust gas and air
- **Certified as Sensor for Safety Temperature Limiters STL50 for gaseous media acc. to SIL 2 (DIN EN 61508) and DIN EN 14597 (substitute DIN 3440)**
- Ex certified to ATEX Ex-i GD for gases and dust
- Sensor with 2 x thermocouples J, K or N, isolated
- Max. operating temperature depends to the thermocouple
- Process pressure 25 bar
- Protection tube D = 9/3 mm, Inconel 600 W-No. 2.4816
- Process connection clamp gland G ½ B
- Terminal head BSZ (Aluminum) IP65 with snap-lid

Temperature equalization

The 63.2 % step-response time of temperature variation at the probe tip will be:

Medium	T63.2%
Exhaust	typical 20 s
Air	typical 22 s

Ordering code

1. - 2. - 3. - 4. - 5. - 6. - 7. - 8.

| | |
|--------------------------------------|--|
| 1. Type | TC293 |
| 2. Variation | 00 Standard
Ex Ex certified acc. to ATEX Ex-i GD |
| 3. Double-thermocouple | 2J type J (Fe-CuNi)
operating temperature -100..+600 °C
cable color black(+), white(-)
2K type K (NiCr-Ni)
operating temperature -100..+900 °C
cable color green(+), white(-)
2N type N (NiCrSi-NiSi)
operating temperature -100..+1000 °C
cable color pink(+), white(-) |
| 4. Protection tube diameter | 9/3 9mm to 3mm reduced |
| 5. Installation length NL | 100 100 mm
160 160 mm
250 250 mm
400 400 mm
600 600 mm
XX custom length |
| 6. Process connection | KV ½ B clamping sleeve slide-able ½ " |
| 7. Terminal head | BSZ with snap-lid (Aluminum) |
| 8. Max. operating temperature | see thermocouple type |

(Custom variation on request)