

Product Information

Level Switch RWI



- Installation from inside or outside
- Highly reproducible
- Normally open or normally closed contact

Characteristics

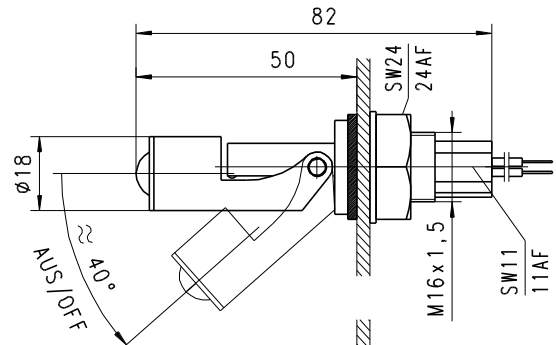
Mechanical level monitor for fluid media, with contact-free triggering of a reed contact.

Technical data

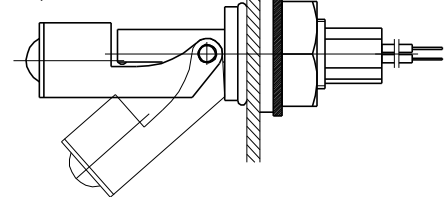
Switch	reed switch	
Process connection	male thread M16x1.5	
Density of medium	PP	≥ 0.60 g/cm ³
	PVDF	≥ 0.75 g/cm ³
Pressure resistance	PP	PN 3 bar
	PVDF	PN 6 bar
Medium temperature	PP	-20..+90 °C
	PVDF	-20..+130 °C
Ambient temperature	-20..+70 °C	
Media	water, oils	
Wiring	'normally open' or 'normally closed' No. 0.448	
Switching voltage	max. 250 V AC	
Switching current	max. 0.5 A	
Switching capacity	max. 50 VA	
Protection class	2 - safety insulation	
Ingress protection	IP 65 (optimal IP 00)	
Electrical connection	cable 0.5 m	
Materials medium-contact	PP model: PP, FKM	PVDF model: PVDF, FKM
Weight	0.075 kg	
Installation location	horizontal installation	

Dimensions

Installation from inside, hole diameter Ø16.5



Installation from outside, hole diameter Ø23



Handling and operation

- It must be ensured that the values given for voltage, current, and power are not exceeded.
- When switched on, a load must be connected in series.
- The electrical details apply to ohmic loads. Capacitive, inductive and lamp loads must be operated using a protective circuit.
- Not suitable for use in media with ferritic particles.

Ordering code

1. 2. 3. 4.
 RWI -

○=Option

1. Connection size	016	threaded connection M16x1.5
2. Process connection	P	compression fitting
3. Connection material	P	PP
	V	PVDF
4. Electronic connection	K	cable
	F	○ Faston plug

Options

- Silicone seal
- Transformer 175 V AC, 0.25 A, 3 VA
- Brass connection G 3/4 A