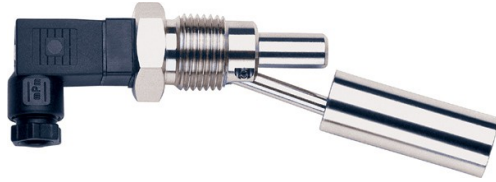


Product Information

RW-015HKS

**Level Switch
 RW-015HKS**

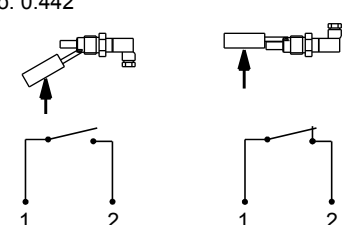


- Highly reproducible
- Normally open or normally closed contact
- Plug connection

Characteristics

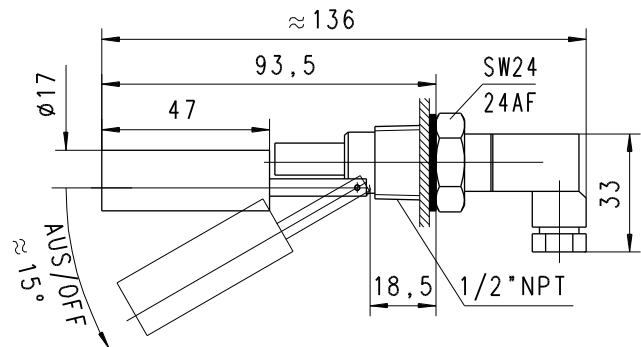
Mechanical level monitor for fluid media, with contact-free triggering of a reed contact.

Technical data

Switch	reed switch
Process connection	male thread 1/2"NPT
Density of medium	≥ 0.75 g/cm ³
Pressure resistance	PN 5 bar
Medium temperature	-20..+120 °C
Ambient temperature	-20..+70 °C
Media	water, oils (aggressive media available on request)
Wiring	normally open (n.o.) No. 0.442 
Switching voltage	max. 50 V AC
Switching current	max. 0.5 A
Switching capacity	max. 25 VA

Protection class	3 - protective extra low voltage
Ingress protection	IP 65
Electrical connection	similar to DIN 43650-C plug contact separation 9.4 mm
Materials medium-contact	1.4301, 1.4436
Non-medium-contact materials	PA
Weight	0.11 kg
Installation location	horizontal installation

Dimensions



Handling and operation

- It must be ensured that the values given for voltage, current, and power are not exceeded.
- When switched on, a load must be connected in series.
- The electrical details apply to ohmic loads. Capacitive, inductive and lamp loads must be operated using a protective circuit.
- Not suitable for use in media with ferritic particles.

Ordering code

RW - 1. 015 2. H 3. K 4. S

1. Connection size	015	threaded connection R 1/2 "
2. Process connection	H	screw-in thread
3. Connection material	K	stainless steel
4. Electronic connection	S	plug